

## VISOMAT II



***Tablet turning belt for visual inspection of tablets and dragees.***

Absolutely reliable turning of tablets guaranteed. Compact unit in GMP design. Excellent access for cleaning with tool-less assembly/disassembly.

## Versatile Application

The VISOMAT II is used for visual inspection of round and oblong-shaped tablets and dragees according to cosmetic defects such as spots, cracks, scratches, warts, missing corners and similar. The VISOMAT II is suitable for stand-alone operation as well as in combination with upstream MASCHINPEX sorting units SORTOMAT and DIASORT for additional checking of product dimensions.

## Efficient Operation

After the product has been fed from the hopper onto the upper belt the first operator checks the upper side of the tablet. In the next step the tablet is automatically turned in the turning station and then transferred to the second operator for inspection of its rear side.



**MASCHINPEX**  
**Maschinenbau GmbH**

A Company in the  
DRIAM-Group

Claude-Dornier-Straße 11  
D-88239 Wangen im Allgäu  
(Location: Industrial Park

Geiselharz-Schauwies)

Phone: (+49) 7520 9669-10

Fax: (+49) 7520 9669-11

Internet: [www.maschinpex.de](http://www.maschinpex.de)

E-mail: [info@maschinpex.de](mailto:info@maschinpex.de)

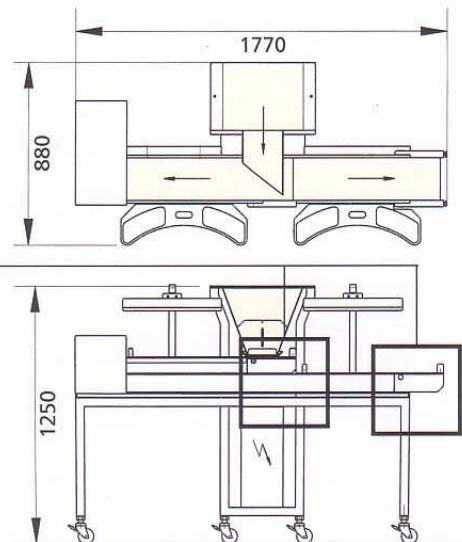
*Quick and simple belt  
assembly/disassembly  
through hinged belt  
tensioner.*



*Rejection of defective  
products through  
suck-off pipette.*



□ product contact parts



## Major Advantages

- Ergonomic working place with specially formed arm rests, sufficient knee space and control elements in reach of both operators.
- Absolutely reliable tablet turning by holding the product between upper and lower belt in the turning station.
- Continuous visual monitoring of the hopper fill level through transparent hopper front side.
- GMP design with excellent access for cleaning and tool-less assembly/disassembly of product contact parts. Smooth surfaces without hidden corners to avoid product traps.

## Technical Data Visomat II

- The MASCHINPEX product range includes:
- Inspection Machines
  - Sorting Machines
  - Outside Washing and Decontamination Machines
  - Capsule Polishers
  - Feed Systems
  - Containers

### Output

Up to 150.000 products/h – depending on product and inspection criteria.

### Belt tensioner

Adjustable. Hinged for easy dismantling.

### Feed hopper

20 litres

### Working height

approx. 900 mm operator 1  
approx. 850 mm operator 2

### Electricity

400 V, 3 Ph + N + PE, 50 Hz, approx. 0,9 kW

### Dimensions

1770 x 880 x 1250 mm