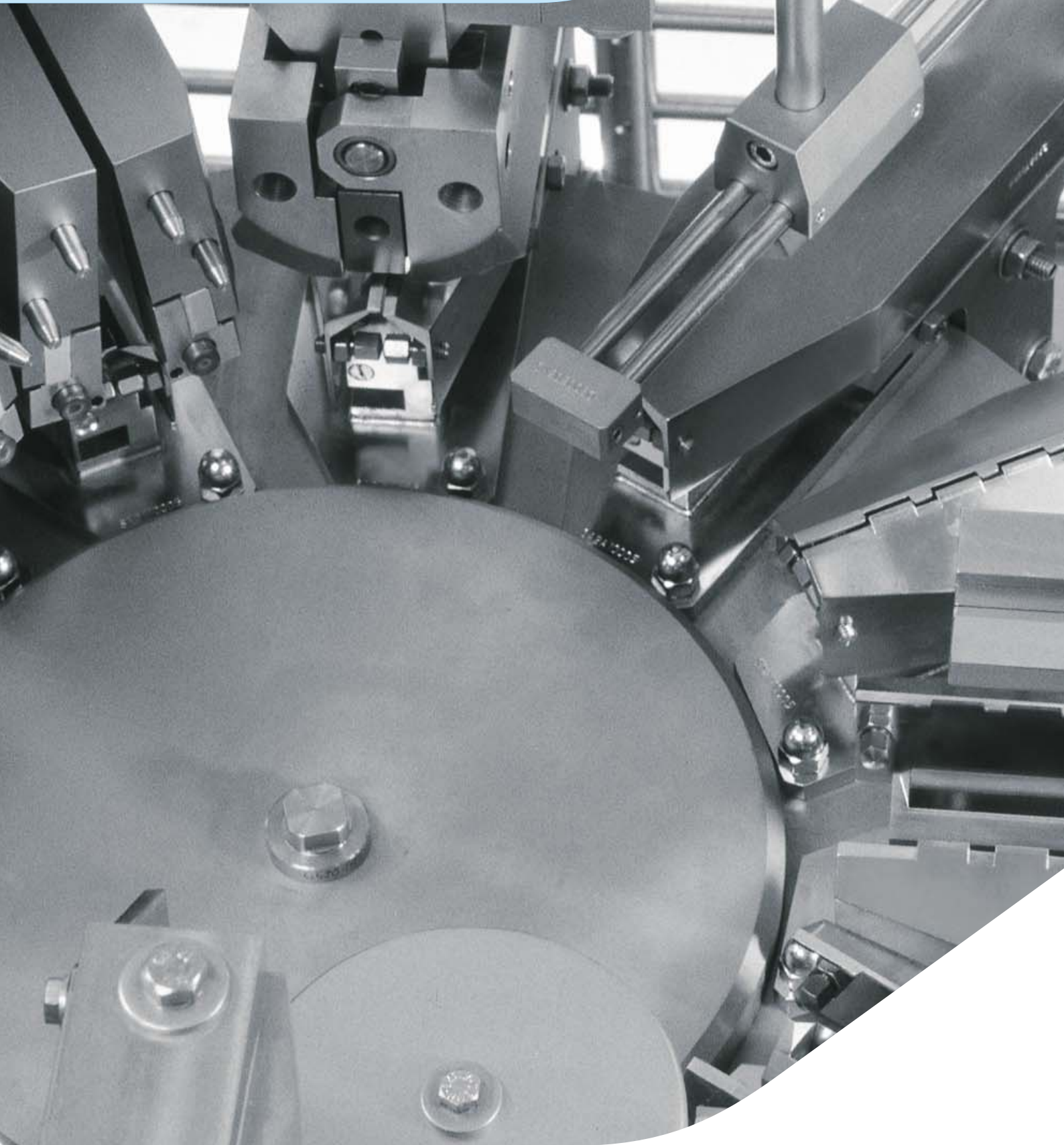


SL SERIES

UNIT DOSE FILLING & SEALING MACHINES



SL SERIES: A COMPACT & FLEXIBLE SYSTEM

IMA LIFE OFFERS A COMPLETE SERVICE TO COMPANIES WISHING TO PACKAGE SPECIAL PRODUCTS IN UNIT DOSE CONTAINERS.

We provide the material and product packaging solutions necessary for stability and registration tests.

The use of unit dose containers to package sterile pharmaceutical products is becoming increasingly popular thanks to the numerous advantages that this type of container offers in terms of product safety, administration accuracy and ease of use.





- SUITABLE FOR OPHTHALMIC PRODUCTS, ORAL VACCINES, ORAL AND NASAL DROPS, DESINFECTANTS, AEROSOL SOLUTIONS AND DIAGNOSTIC REAGENTS
- HIGH PRODUCTION SPEED (UP TO 375 UNIT DOSES/MIN)
- HIGH FLEXIBILITY, CAN HANDLE UNIT DOSE CONTAINERS IN ALL TYPES OF PLASTIC
- cGMP COMPLIANT - EASY TO QUALIFY AND VALIDATE
- COMPACT AND COST-EFFECTIVE
- OPTIMUM SPACE/PERFORMANCE RATIO
- MINIMUM MAINTENANCE REQUIREMENT, EASY AND RAPID
- EASY TO INTEGRATE INTO HIGH-SPEED PRODUCTION LINES
- AVAILABLE WITH A WIDE RANGE OF ACCESSORIES AND OPTIONAL UNITS

OPTIONAL UNITS

- AUTOMATIC TRAY LOADING/UNLOADING FACILITY
- PRODUCT VISUAL INSPECTION AND CHECK UNIT
- SEAL TESTER
- INK JET PRINTING FOR UNIT DOSE CONTAINERS
- VOLUMETRIC, TIME/PRESSURE AND PERISTALTIC PUMP FILLING SYSTEMS

SL SERIES TECHNICAL DATA

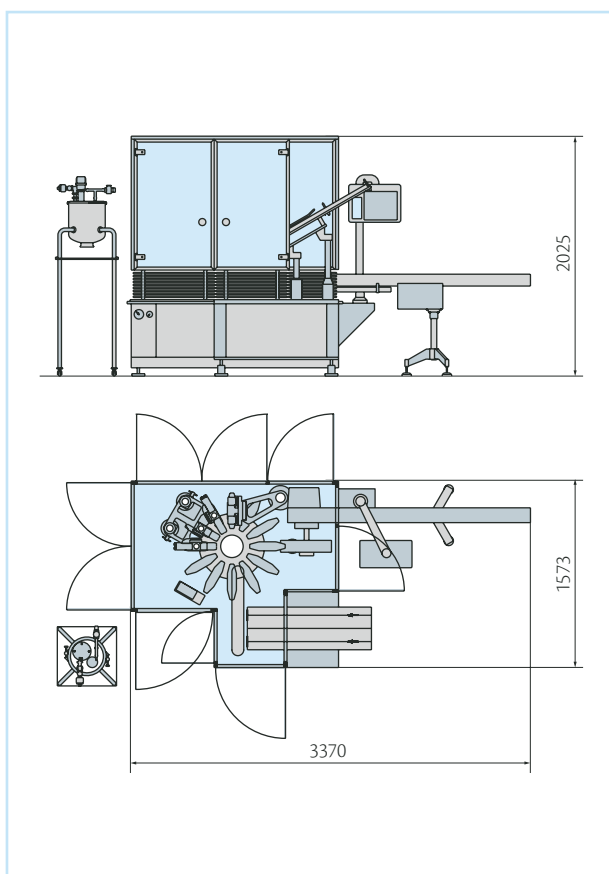
COMPLETE LINES

SL series machines form the core of unit dose filling and packing lines designed, manufactured and installed by IMA LIFE.

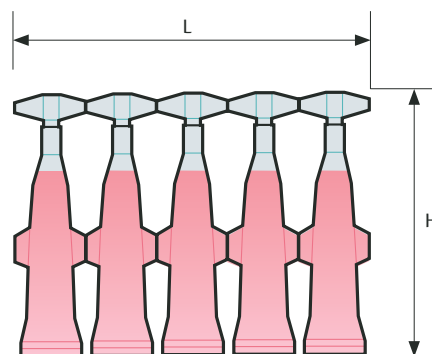
Thanks to the wide range of models available, IMA LIFE can offer virtually any line configuration to meet any production specification or overall layout.

IMA LIFE can supply unit dose filling and sealing lines complete with labellers, and machinery for final product packaging.

Maximum flexibility in line configuration and a high degree of integration prove the renowned reliability of IMA LIFE machines. These factors combined ensure that IMA LIFE lines provide top performance throughout all stages of the production process.



	SL 25	SL 50	SL 75
	Max.	Max.	Max.
H (mm)	90	90	90
L (mm)	210	135	95
Dosage (ml)	10	5	1
Dosing heads	Up to 5	Up to 10	Up to 15
Production speed	Up to 25 strip/min	Up to 50 strip/min	Up to 75 strip/min
Installed power	6 kw	6 kw	6 kw
Standard power supply	400V - 50 Hz	400V - 50 Hz	400V - 50 Hz
Weight (kg)	2200	2600	2800



IMA S.p.A.

IMA LIFE division

Via Emilia 428-442 - 40064 Ozzano dell'Emilia (Bologna) - Italy

Tel. +39 051 6514111 - Fax +39 051 6514666

marketing@ima.it - www.ima.it - www.ima-pharma.com

