

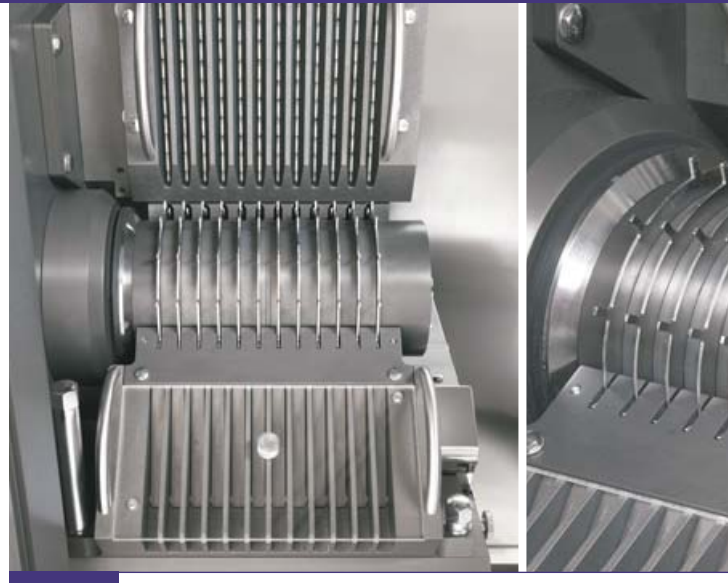
PRECISA 150-230

WEIGHT CHECKING MACHINE



PRECISA THE SECURITY OF 100% CONTROL

THE NEW PRECISA HAS ALL THE PROVEN WORKING PRINCIPLES OF THE EARLIER PRECISA SERIES, AND NOW ALSO HAS AN EXTREMELY COMPACT DESIGN TO SAVE SPACE IN THE PRODUCTION AREA AND A HIGHER PRODUCTION SPEED.



Precisa is an automatic machine that has been designed and constructed for weight control and selection for pharmaceutical products packed in hard gelatine/HPMC capsules (including SUPRO and DB capsules). The machine automatically conveys the product from the feeding hopper to the weighing cells. After weighing, the values are elaborated by the machine computer, which sends any out-of-weight products to a specific container. Batch report is created and saved, available for display or printing or archiving into removable or network storage media.

To position the product in loading cells, Precisa uses a transfer drum fitted with a plate to hold the capsules during rotation. This system minimizes vibrations and is extremely reliable even at a very high speed.

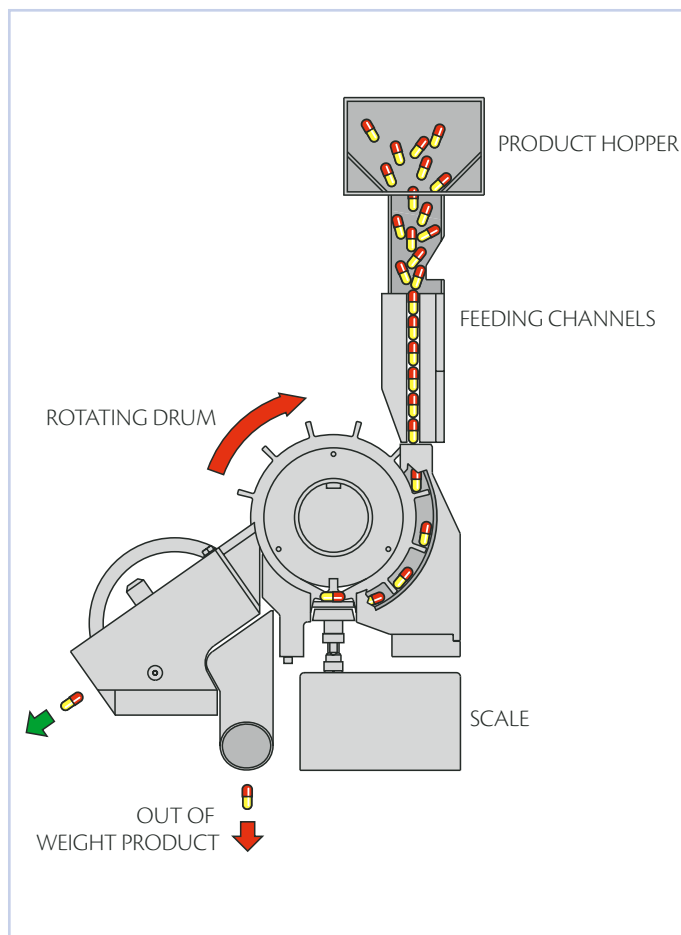
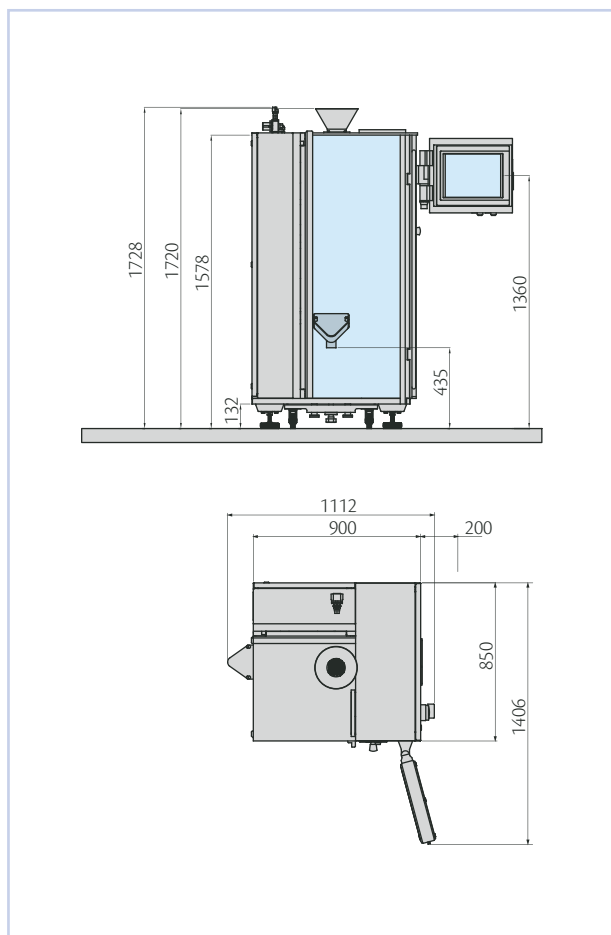


POSSIBLE CONNECTION IN LINE TO ALL CURRENT CAPSULE FILLING MACHINES ON THE MARKET. FEEDBACK ON DOSAGE PARAMETERS WHEN CONNECTED TO IMA CAPSULE FILLING MACHINES.

- WEIGHT CONTROL UP TO 230,000 UNITS/HOUR
- EXTREMELY COMPACT DESIGN
- EASILY MANOEUVRABLE DUE TO THE FITTING OF WHEELS
- SCALE ACCURACY +/- 1 MG
- BATCH REPORT OF 100% WEIGHT CHECKING
- QUICK SIZE CHANGEOVER
- AUTOMATIC UNCLOGGING OF FEEDING CHANNELS
- FAIL-SAFE REJECT OF FAULTY CAPSULES
- SW TOOLS FOR COMPLIANCE WITH 21 CFR PART 11



PRECISA 150-230 TECHNICAL DATA



	PRECISA 150	PRECISA 230
Maximum output (units/hour)	150,000	230,000
Power supply	AC three phase without neutral	
Installed power (kW)	2.5	
Compressed air	80 dm ³ /min at 6 Bar	100 dm ³ /min at 6 Bar
Weight (kg)	750	770
Weighing range (mg)	1 ÷ 2,000	
Scale accuracy - Standard Deviation (mg)	± 1	
Feeding hopper capacity (litres)	20	25
Product	000-5, Supro A-E, DB, DB.AA - Vegicaps: vegetable capsules	

IMA S.p.A.

IMA ACTIVE division

Via I° Maggio 14 - 40064 Ozzano Emilia (Bologna) - Italy

Tel. +39 051 6514111 - Fax +39 051 6514287

mktg.soliddose@ima.it - www.ima.it - www.ima-pharma.com



Certificate
N. IT00/0415