

FLEXIFILL SERIES PHARMA

LIQUID FILLERS FOR PHARMACEUTICALS



FLEXIFILL SERIES HIGH FLEXIBILITY IN FILLING

Following an already established trend IMA Life keep the pace with the highest technology standards.

THE SERIES OF FLEXIFILL MACHINES REPRESENTS IMA LIFE'S ANSWER TO THE FLEXIBILITY AND RELIABILITY DEMAND OF THE PHARMACEUTICAL MARKET NOWADAYS.

FLEXIFILL design is based on a sound consolidated IMA Life technology coupled with modern modularity concepts, which give high flexibility in terms of machine configuration. FLEXIFILL can in fact be arranged by adding specific operative groups according to the products to handle; this feature offers high production efficiency and **a remarkably profitable price/performance ratio.**





CIP System on filling pumps

HIGH FLEXIBILITY IS SHOWN ALSO IN THE INNOVATIVE CANTILEVER DESIGN, WHICH OFFERS EASY ACCESSIBILITY FOR THE OPERATOR, LEAVING ALL THE MECHANICAL PARTS ON THE MACHINE BACKSIDE, FACILITATING RUNNING AND MAINTENANCE OPERATIONS.

Thanks to the possibility of handling bottles in pucks, the machine offers a high flexibility both in term of size change over and of user friendliness. Example of machine with side transfer pusher to boost production performance.

VERY COMPACT AND ERGONOMIC, FLEXIFILL COUPLES ITS SIMPLICITY OF USE WITH A REDUCED OVERALL LAYOUT, WHICH HELPS INSTALLATION ALSO IN SMALL ROOMS WITH CONSIDERABLE SPACE SAVING.



FLEXIFILL SERIES HIGH FLEXIBILITY IN FILLING

IDEAL FOR ALL TYPES OF PRODUCTS

FLEXIFILL is therefore ideal for all types of pharmaceutical products, ranging from eye drops, contact lens solutions, through to detergents, infusions, oral and topic solutions.

UP TO: 8 FILLING UNITS

FLEXIFILL can be equipped with all sorts of filling systems depending on the type of product to be handled and on the container type.

POSITIVE IN-LINE FILLING SYSTEM

Developed with a positive in-line filling system the machine can have alternate motion or continuous motion transport system and can be either electronically or mechanically driven. Unstable vials and containers are conveyed throughout the machine length by means of a properly sized in-feed scroll.

ELECTRONIC CONTROLS

Servo-driven motors for nozzle carrier head vertical and horizontal stroke and for the adjustment of dosing volume.

All production parameters are stored in recipes for each product and size part to be handled: this gives high flexibility and ease of format change.

The servo-driven motor on filling pumps allows the adjustment and fine tuning of pump filling curve according to the physical characteristics of the product to be filled.

DESIGNED FOR LOW TO MEDIUM OUTPUTS

From 100 to 250 bottles/min with a dosing volume of up to 1000 ml and can handle both glass and plastic containers.

SIMPLICITY OF THE OVERALL DESIGN

The machines of the FLEXIFILL Series can be connected or even monoblocked with intermittent or continuous motion cappers, to handle all types of pharmaceutical closures.

GMP'S COMPLIANT

All products contact parts made of aisi 316L stainless steel.

STERILE APPLICATIONS

FLEXIFILL can be part of a complete processing line or work as a stand alone machine.

Laminar flow units are optimized for each machine size and are available in case of processing in a sterile area or in a controlled environment.

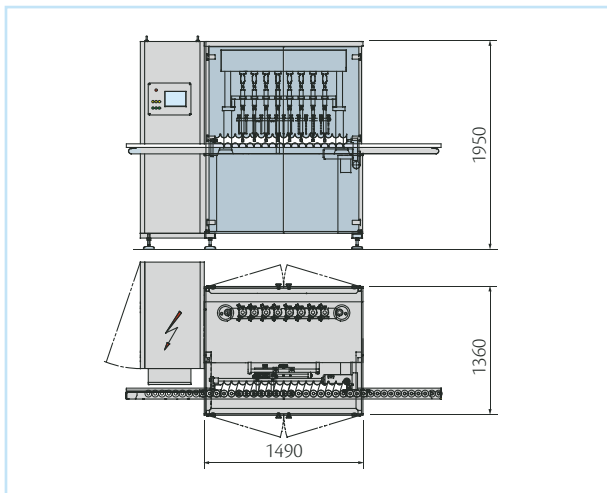






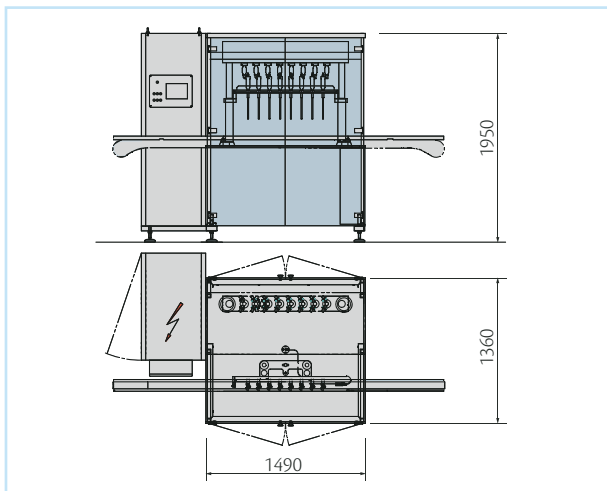
FLEXIFILL SERIES TECHNICAL DATA

F940-C



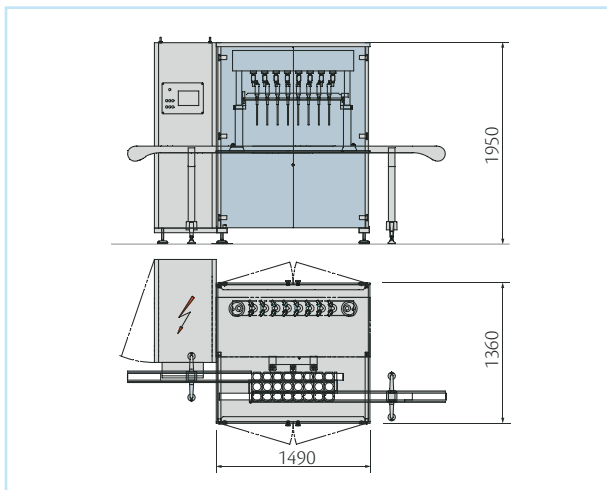
F940-C		
	Min.	Max.
Vial diameter (mm)	20	90
Vial height (mm)	40	180
Dosing groups	Up to 8	
Dosing range	Up to 500 ml	
Output (bottle/min.)	Up to 250	
Dimensions (mm)	1490 x W. 1360 x H. 1950	
Standard voltage	400V	
Continuous motion	Electrical drive	

F940-I



F940-I		
	Min.	Max.
Vial diameter (mm)	20	90
	Puck 90 x 125	
Vial height (mm)	40	180
Dosing groups	Up to 8	
Dosing range	Up to 500 ml	
Output (bottle/min.)	Up to 100	
Dimensions (mm)	1490 x W. 1360 x H. 1950	
Standard voltage	400V	
Intermittent motion	Mechanical or electrical drive	

F940-IST



F940-IST		
	Min.	Max.
Vial diameter (mm)	20	90
	Puck 90 x 125	
Vial height (mm)	40	180
Dosing groups	Up to 8	
Dosing range	Up to 500 ml	
Output (bottle/min.)	Up to 120	
Dimensions (mm)	1490 x W. 1360 x H. 1950	
Standard voltage	400V	
Intermittent motion with side transfer	Mechanical or electrical drive	

www.ima-pharma.com

IMA S.p.A.

IMA LIFE division

Via Emilia 428-442 - 40064 Ozzano dell'Emilia (Bologna) - Italy

Tel. +39 051 6514111 - Fax +39 051 6514666

mktg.life@ima.it - www.ima.it



Certificate
N. IT00/0415