

ARIA

FLUID BED PROCESSOR



THE ESSENTIAL ELEMENT IN FLUID BED PROCESSING

Precise parameter control and premium quality engineering are the key features of IMA Active division's new fluid bed processor. Simplified processing concepts based on patented technologies together with compact GMP-compliant design for greater efficiency and to fully respond to current industry requirements. Easily integrated with other granulation equipment, Aria fits seamlessly into solid dose processing lines.

- ESSENTIAL TECHNOLOGY
- INTELLIGENT DESIGN
- ENDURING RELIABILITY
- EFFICIENT PROCESSING
- PROBLEM-FREE MAINTENANCE

Aria is the most flexible fluid bed equipment allowing different types of processes:

- Drying
- Granulating (top spray)
- Coating (bottom spray)

Additionally, the machine guarantees a large flexibility of batch size processing in the same equipment.

Designed for through-the-wall installation, Aria simplifies the integration with other processing equipment, such as wet granulators, calibrating mills, product conveyors, thus reducing space requirements in the production room.

- Complete accessibility for product filters replacement
- Large variety of cartridges and fabric filtration materials





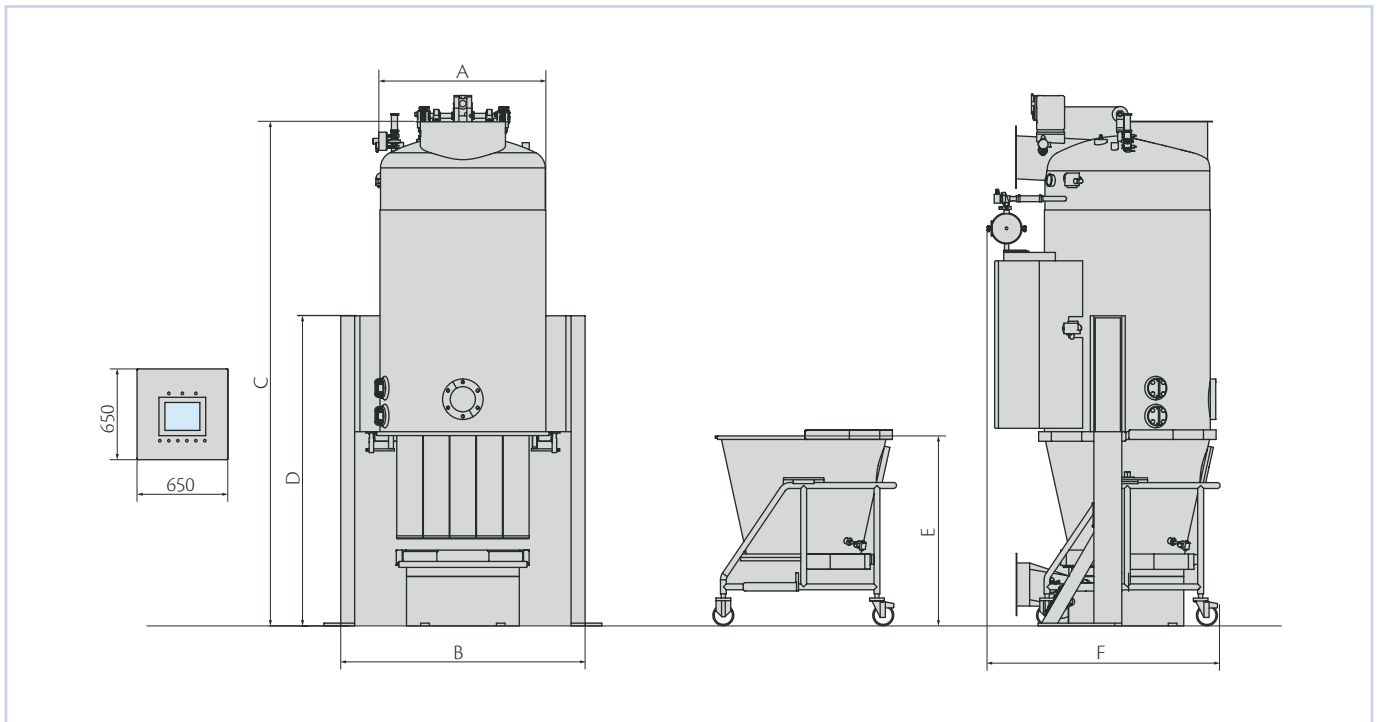
CONTROL SYSTEM

State of the art technology for storing of manufacturing recipes and adjustment of processing parameters. A specially developed software allows an easy integration with any supervisory system for factory automation.

Fully compatible with IMA's Customer Services:

- Integrated Maintenance
- Remote Service Assistance (RSA)
- MyIMA Spare Parts

This allows to increase the Overall Equipment Efficiency (OEE), maximizing machine productivity and extending equipment lifetime.



MODEL	ARIA 60	ARIA 120	ARIA 300	ARIA 600	ARIA 900	ARIA 1200	ARIA 1500
Batch size (kg)	25	50	120	250	400	500	600
Geometrical capacity (l)	90	180	380	680	1,100	2,000	
Associated HSMG model	Roto Mix 60	Roto Mix 120	Roto Mix 300	Roto Mix 600	Roto Mix 900	Roto Mix 1200	Roto Mix 1500
A (mm)	590	700	960	1,190	1,410	1,740	
B (mm)	1,150	1,260	1,520	1,750	2,040	2,300	
C (mm)	2,500	2,790	3,235	3,615	4,100	5,670	
D (mm)	1,610	1,775	1,840	2,220	2,675	3,785	
E (mm)	930	1,010	1,050	1,360	1,530	1,900	
F (mm)	1,280	1,420	1,560	1,610	1,830	2,160	
Weight (kg)	1,200	1,400	1,800	2,200	2,700	3,600	

www.ima-pharma.com



IMA S.p.A.
IMA ACTIVE division
Via I° Maggio 14 - 40064 Ozzano Emilia (Bologna) - Italy
Tel. +39 051 6514111 - Fax +39 051 6514287
mktg.soliddose@ima.it - www.ima.it



Certificate
N. IT00/0415